

Dual MIPI to DSI Converter Daughter Card

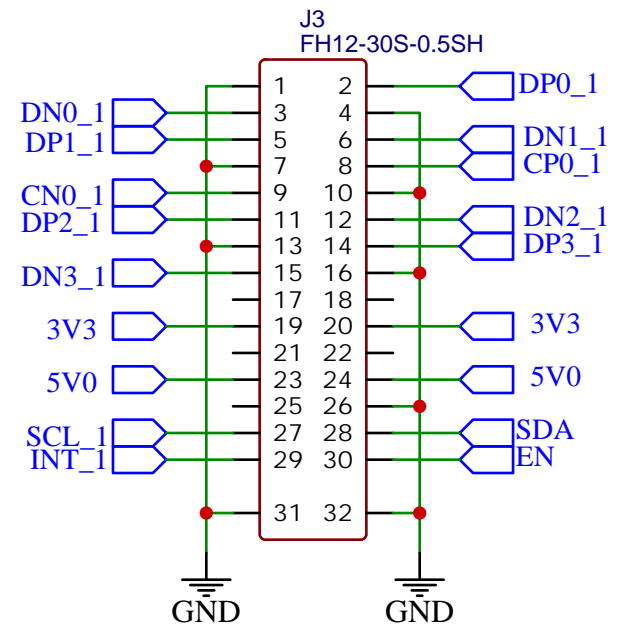
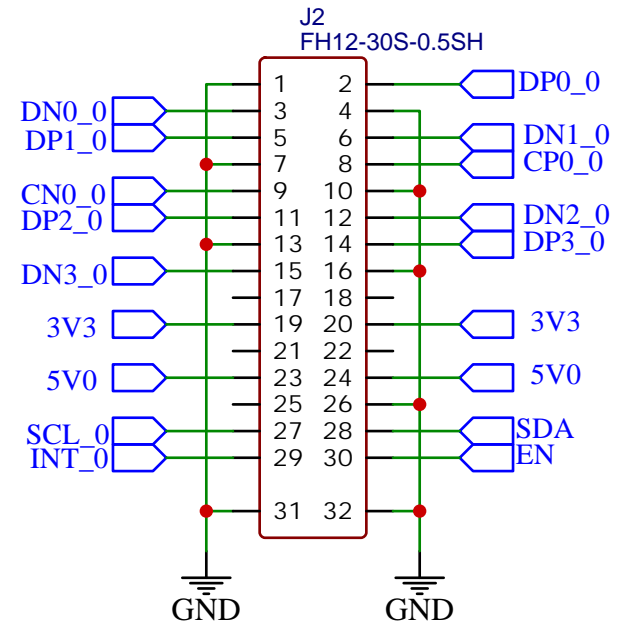
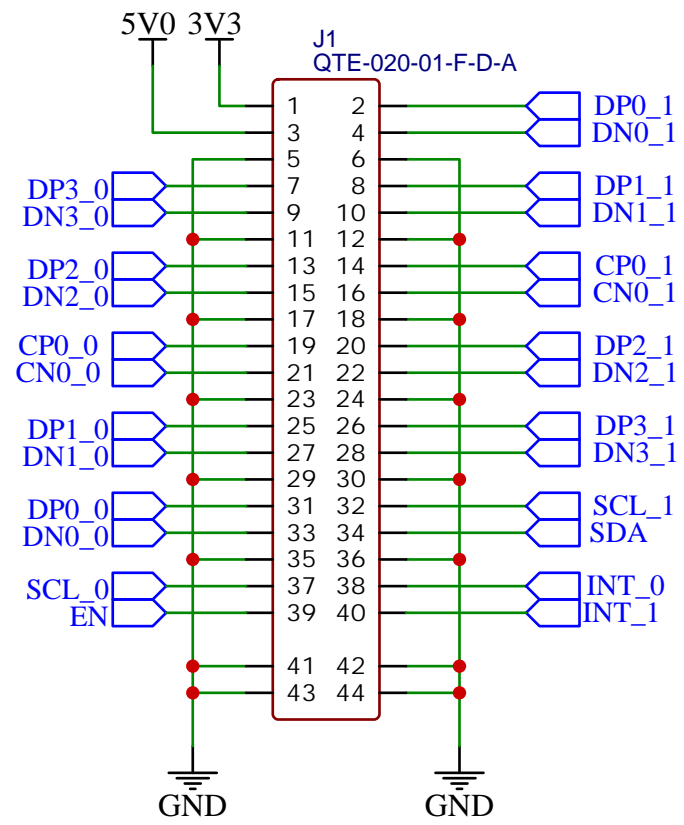
CONTENTS

PAGE 01 - TABLE OF CONTENTS
PAGE 02 - HEADERS

REVISION HISTORY

2.1 9/2/2021 Kircheiswong Initial Release

TITLE: EFINIX_TI60_2x30pin_IFB		REV: 1.0
Company: EFINIX		Sheet: 1/2
Date: 2021/02/09		Drawn By: Kircheiswong



TITLE: EFINIX_TI60_2x30pin_IFB		REV: 1.0
Company: EFINIX		Sheet: 2/2
Date: 2021/02/09	Drawn By: Kircheiswong	



ID	Name	Designator	Footprint	Quantity	Manufacturer Part	Manufacturer
1	QTE-020-01-F-D-A	J1	QTE-020-01-F-D-A	1		
2	FH12-30S-0.5SH	J2,J3	FH12-30S-0.5SH	2	FH12-30S-0.5SH	Hirose



Disclaimers

EFINIX DOES NOT PROVIDES ANY WARRANTY OF ACCURACY, COMPLETENESS, MERCHANTABILITY OR NONINFRINGEMENT OF THIRD-PARTY RIGHTS ON THIS DOCUMENT. THE INFORMATION IN THIS DOCUMENT IS "AS IS". IN NO EVENT WILL EFINIX BE LIABLE FOR ANY EXEMPLARY, SPECIAL, CONSEQUENTIAL, INDIRECT, OR INCIDENTAL DAMAGES, INCLUDING ANY LOSS OF DATA, LOST OF PROFITS, LOSS OF INFORMATION, LOSS OF LIFE OR BUSINESS INTERRUPTION, ARISING FROM YOUR USE OF THIS DOCUMENT.

EFINIX shall make changes to this document at any time without notification. EFINIX assumes no obligation to correct any errors contained in this document or to advise any user of this document of any correction if such be made. EFINIX advise its customers obtain the latest FPGA schematic before ordering so that no conflict of information correctness afterward.