

Dual Raspberry Pi Camera Connector Daughter Card

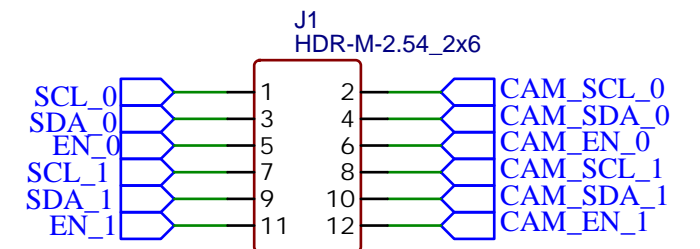
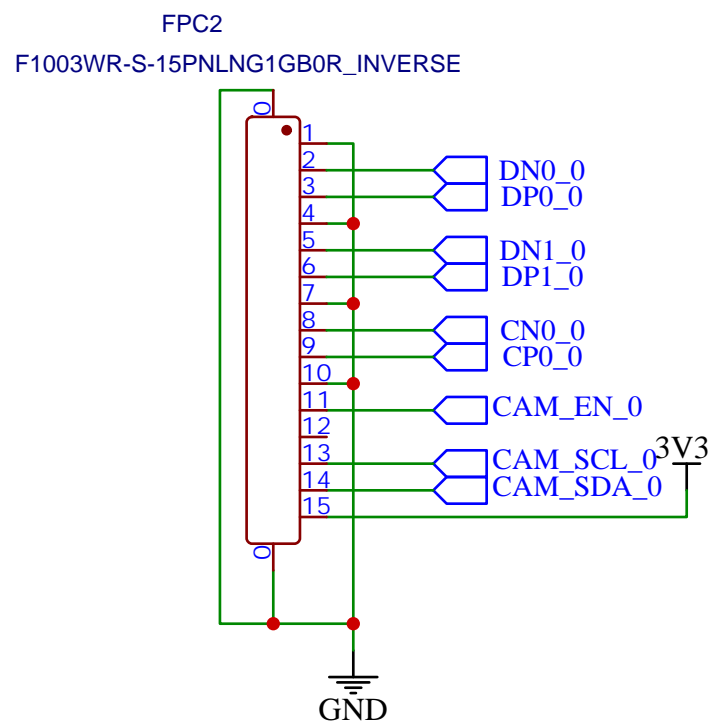
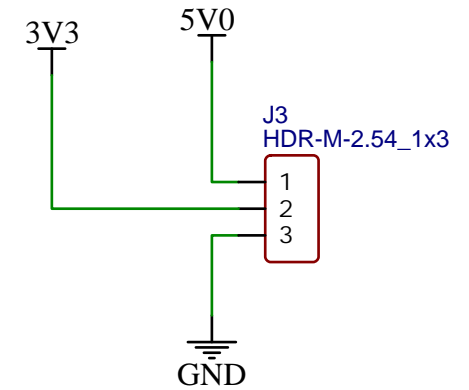
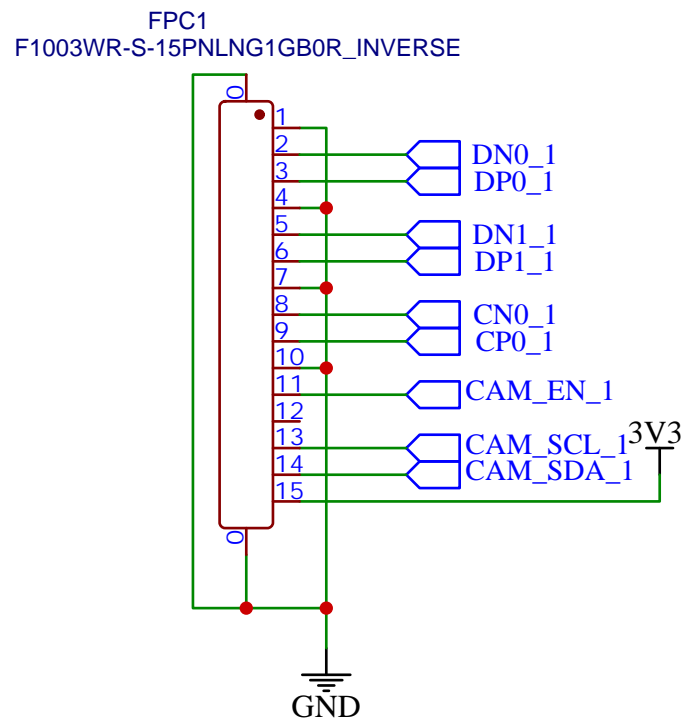
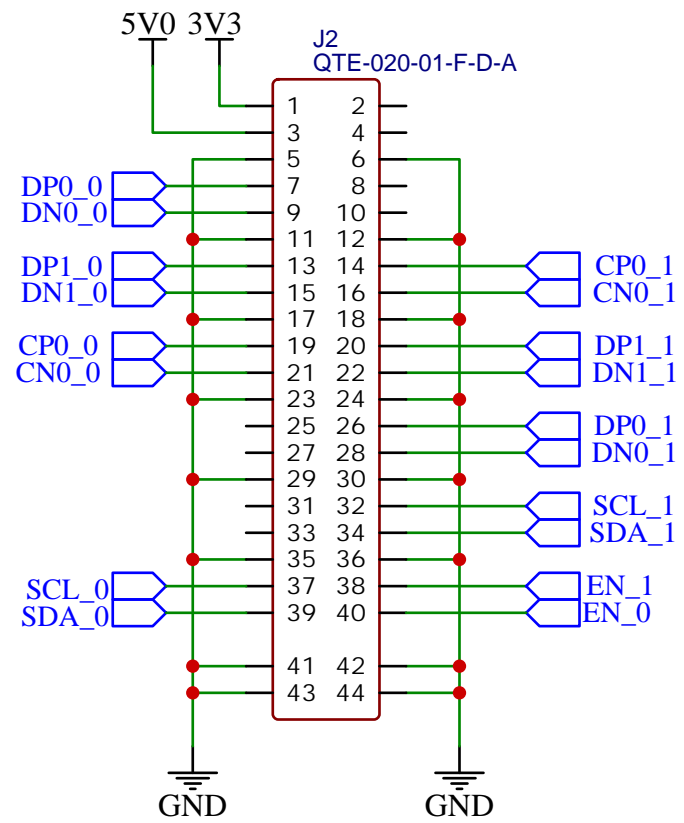
CONTENTS

PAGE 01 - TABLE OF CONTENTS  
PAGE 02 - HEADERS

REVISION HISTORY

2.1 3/31/2021 Kircheiswong Initial Release

TITLE: EFINIX_TI60_2xPiCam		REV: 2.1
Company: EFINIX		Sheet: 1/2
Date: 2021-03-31		Drawn By: Kircheiswong



Efinix 900 Lafayette St, Suite 406 Santa Clara, CA 95050			<b>EFINIX</b> <sup>TM</sup>
Copyright (c) 2021 All Rights Reserved			
Title			
Headers			
Size	Document Number	Rev	
	DUAL-RPiCAM-DC-SCHEM	2.1	
Date:	March 3, 2021	Sheet	1 of 2

TITLE: EFINIX_TI60_2xPiCam		REV: 2.1
Company: EFINIX		Sheet: 2/2
Date: 2021-03-31		Drawn By: Kircheiswong



ID	Name	Designator	Footprint	Quantity	Manufacturer Part	Manufacturer
1	15pin 1mm pitch FFC Top contact connector	FPC1, FPC2	FPC-SMD_15P-P1.00_L5.5-W22.0_INVERSE	2	686115183422 or 0522071533	Würth Elektronik or molex
2	HDR-M-2.54_2x6	J1	HDR-M-2.54_2X6	1		
3	QTE-020-01-F-D-A	J2	QTE-020-01-F-D-A	1	QTE-020-01-F-D-A	SAMTECH
4	HDR-M-2.54_1x3	J3	HDR-M-2.54_1X3	1		
5	Jumper	NA	CONN JUMPER SHORTING .100" GOLD	6	QPC02SXGN-RC	



## Disclaimers

EFINIX DOES NOT PROVIDES ANY WARRANTY OF ACCURACY, COMPLETENESS, MERCHANTABILITY OR NONINFRINGEMENT OF THIRD-PARTY RIGHTS ON THIS DOCUMENT. THE INFORMATION IN THIS DOCUMENT IS "AS IS". IN NO EVENT WILL EFINIX BE LIABLE FOR ANY EXEMPLARY, SPECIAL, CONSEQUENTIAL, INDIRECT, OR INCIDENTAL DAMAGES, INCLUDING ANY LOSS OF DATA, LOST OF PROFITS, LOSS OF INFORMATION, LOSS OF LIFE OR BUSINESS INTERRUPTION, ARISING FROM YOUR USE OF THIS DOCUMENT.

EFINIX shall make changes to this document at any time without notification. EFINIX assumes no obligation to correct any errors contained in this document or to advise any user of this document of any correction if such be made. EFINIX advise its customers obtain the latest FPGA schematic before ordering so that no conflict of information correctness afterward.