

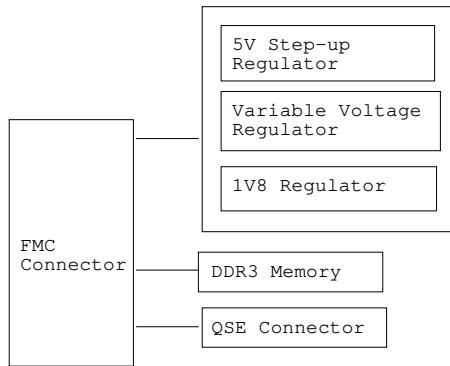
FMC to DDR3 Daughter Card

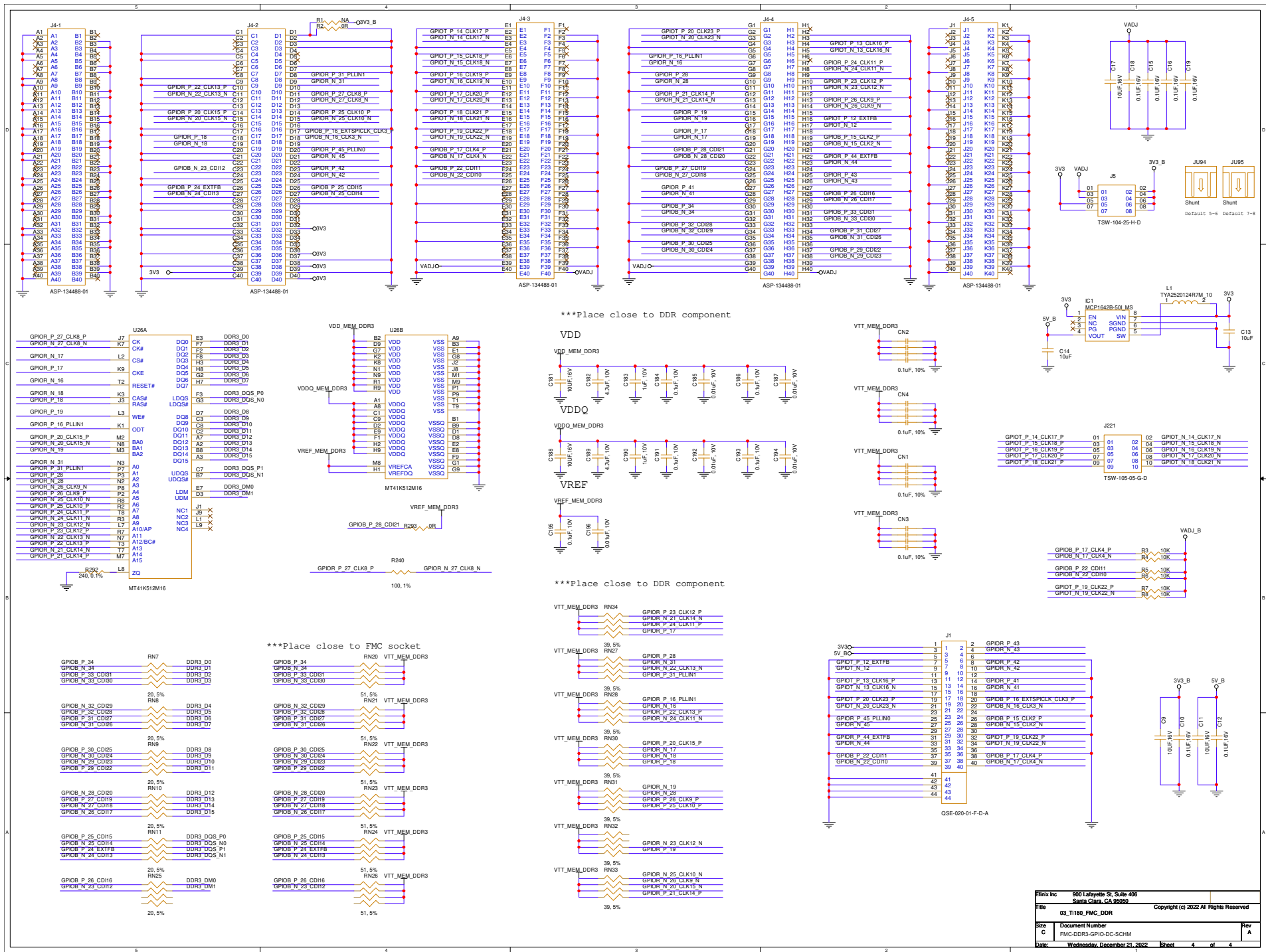
CONTENTS

Page 00 - Table of Contents
Page 01 - Block Diagram
Page 02 - Ti180_DDR_Power
Page 03 - Ti180_FMC_DDR

REVISION HISTORY

0.1 04/07/2022 Initial release
1.0 23/12/2022 CFLEUNG Official release







Item	Quantity	Reference	Part
1	4	CN1,CN2,CN3,CN4	0.1uF, 10%
2	5	C9,C11,C17,C181,C188	10UF,16V
3	6	C10,C12,C15,C16,C18,C19	0.1UF,16V
4	2	C13,C14	10uF
5	3	C177,C197,C198	10uF, 25V
6	2	C178,C179	22uF, 16V
7	1	C180	2.2uF, 10V
8	2	C182,C189	4.7uF, 10V
9	2	C183,C190	1uF, 10V
10	5	C184,C186,C191,C193,C195	0.1uF, 10V
11	5	C185,C187,C192,C194,C196	0.01uF, 10V
12	2	D10,D11	green
13	1	IC1	MCP1642B-50I_MS
14	1	IC2	MCP1700T-1802E_TT
15	13	JU67,JU86,JU87,JU88,JU89,JU90,JU91,JU92,JU93,JU94,JU95,JU96,JU97	Shunt
16	1	J1	QSE-020-01-F-D-A
17	1	J4	ASP-134488-01
18	1	J5	TSW-104-25-H-D
19	4	J199,J200,J201,J202	2X4_2_54MM_PIN_HEADER
20	1	J220	3X1_2_54MM_PIN_HEADER
21	1	J221	TSW-105-05-G-D
22	1	J222	TSW-106-05-G-D
23	1	L1	TYA2520124R7M_10
24	2	Q10,Q11	MMBT3904T-7-F
25	6	RN7,RN8,RN9,RN10,RN11,RN25	20, 5%
26	6	RN20,RN21,RN22,RN23,RN24,RN26	51, 5%
27	7	RN27,RN28,RN30,RN31,RN32,RN33,RN34	39, 5%
28	1	R1	NA
29	2	R2,R293	0R
30	6	R3,R4,R5,R6,R7,R8	10K
31	1	R240	100, 1%
32	2	R251,R252	220, 5%
33	2	R253,R254	10k, 5%
34	2	R255,R256	100K, 5%
35	1	R257	50K, 10%
36	1	R291	30.1K, 1%
37	1	R292	240, 0.1%
38	1	U25	LTM4632
39	1	U26	MT41K512M16



Disclaimers

EFINIX DOES NOT PROVIDES ANY WARRANTY OF ACCURACY, COMPLETENESS, MERCHANTABILITY OR NONINFRINGEMENT OF THIRD-PARTY RIGHTS ON THIS DOCUMENT. THE INFORMATION IN THIS DOCUMENT IS "AS IS". IN NO EVENT WILL EFINIX BE LIABLE FOR ANY EXEMPLARY, SPECIAL, CONSEQUENTIAL, INDIRECT, OR INCIDENTAL DAMAGES, INCLUDING ANY LOSS OF DATA, LOST OF PROFITS, LOSS OF INFORMATION, LOSS OF LIFE OR BUSINESS INTERRUPTION, ARISING FROM YOUR USE OF THIS DOCUMENT.

EFINIX shall make changes to this document at any time without notification. EFINIX assumes no obligation to correct any errors contained in this document or to advise any user of this document of any correction if such be made. EFINIX advise its customers obtain the latest FPGA schematic before ordering so that no conflict of information correctness afterward.