

TRION T20 MIPI DEVELOPMENT KIT

CONTENTS

PAGE 01 - T20F169C	TABLE OF CONTENTS
PAGE 02 - T20F169C	BLOCK DIAGRAM
PAGE 03 - T20F169C	POWER REGULATOR
PAGE 04 - T20F169C	FPGA CONFIGURATION
PAGE 05 - T20F169C	FPGA I/O
PAGE 06 - T20F169C	FPGA MIPI
PAGE 07 - T20F169C	FPGA LVDS
PAGE 08 - T20F169C	FPGA POWER
PAGE 09 - T20F169C	USB CONTROLLER


REVISION HISTORY

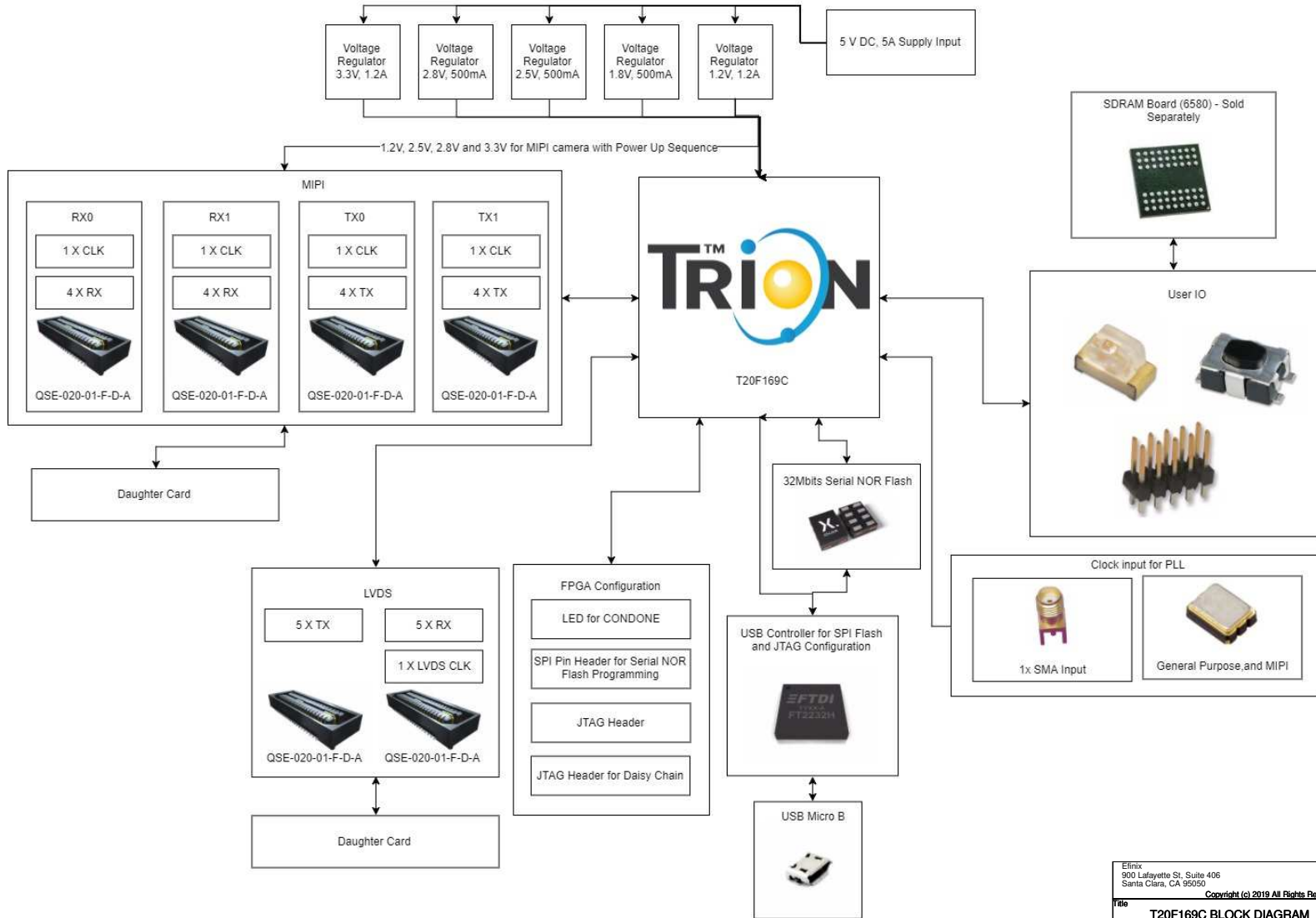
1A	2/22/2019	Initial Creation
2A	5/29/2019	Revised the connectors on MIPI interface, signals and adding 2.8V voltage regulator
3A	8/12/2019	Revised the MIPI and LVDS signals

All material must comply with:

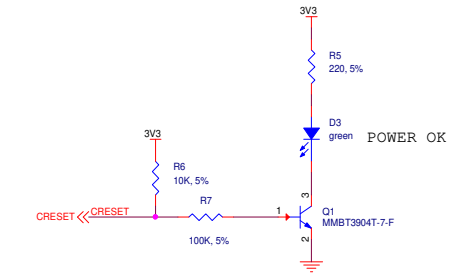
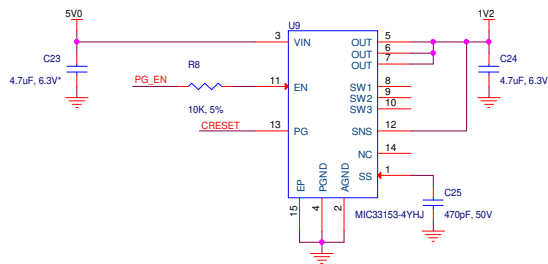
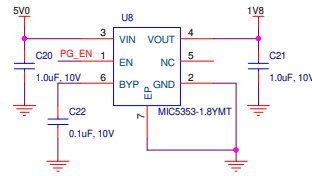
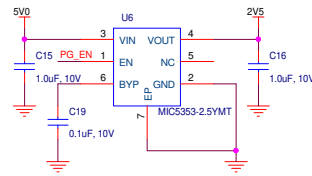
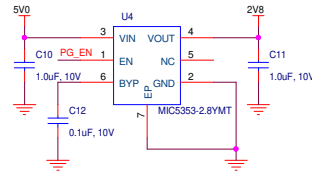
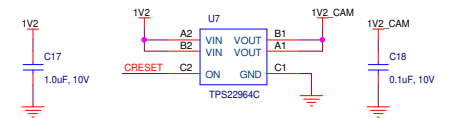
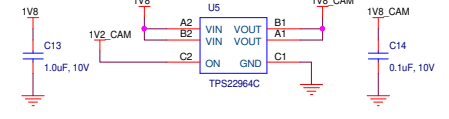
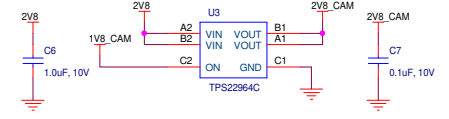
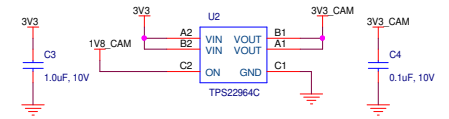
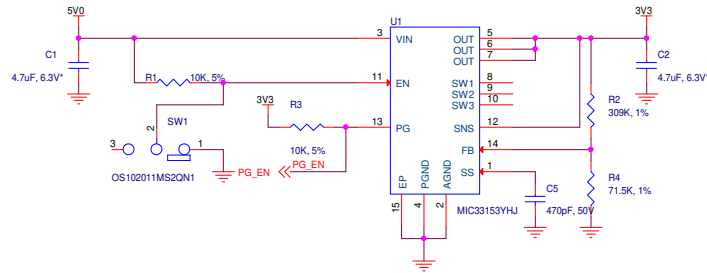
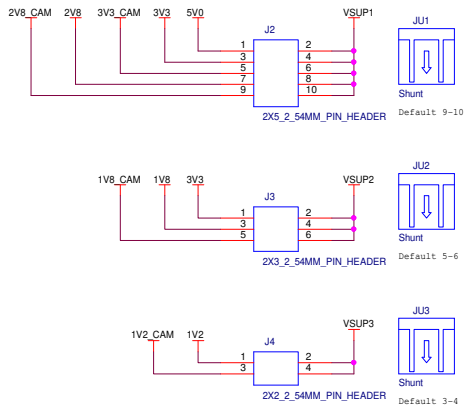
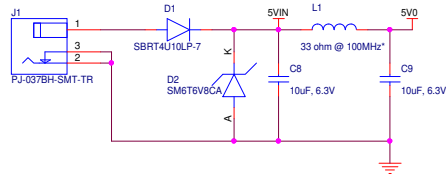
1. The requirements of the European Union RoHS 2 Directive 2017/2102 (Amendment to 2011/65/EU) with no exceptions unless authorized.
2. The requirements of EC 1907/2006 and not contain any of the Substances of Very High Concern (SVHC) listed under the latest REACH requirements. (Amendments EU 2017/999, EU 2017/1510, EU 2018/35).

No changes to Efinix bill of materials is allowed unless approved in writing by Efinix Product Engineering Group. These changes will be maintained in the document revision history via ECN.

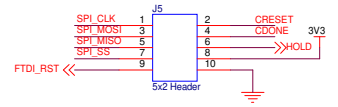
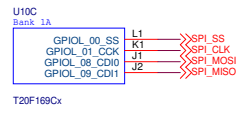
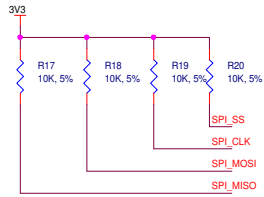
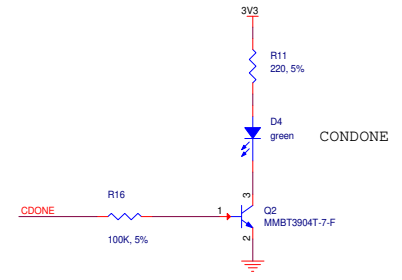
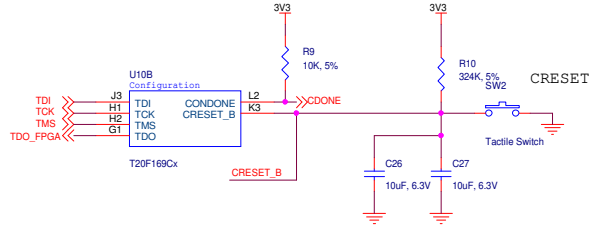
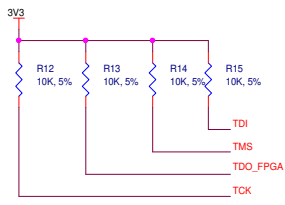
Efinix 900 Lafayette St, Suite 406 Santa Clara, CA 95050		
Copyright (c) 2019 All Rights Reserved		
Title	TABLE OF CONTENTS	
Size	Document Number ETSB-00002-1	Rev 1A
Date	Friday, September 20, 2019	Sheet 1 of 9



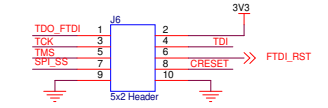
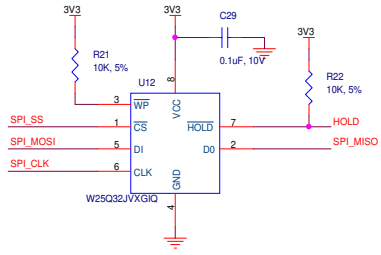
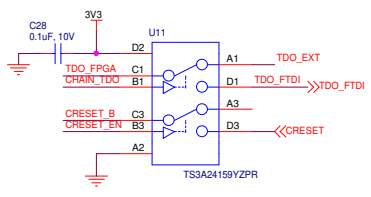
5V DC IN



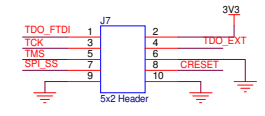
Efinix 900 Lafayette St, Suite 406 Santa Clara, CA 95050			
Copyright (c) 2019 All Rights Reserved			
Title T20F169C POWER REGULATOR			
Size	Document Number ETSB-00002-1	Rev	1A
Date	Friday, August 16, 2019	Sheet	3 of 9



External Serial NOR Flash Header

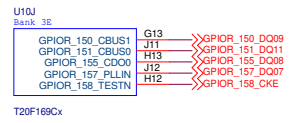
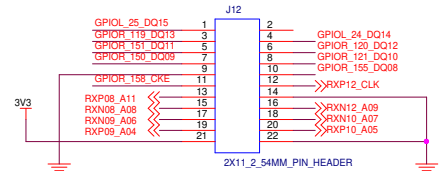
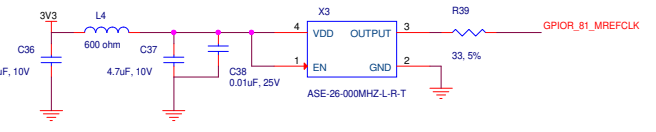
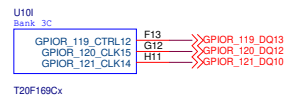
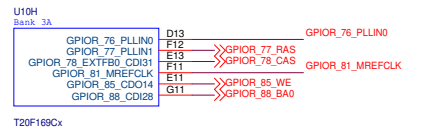
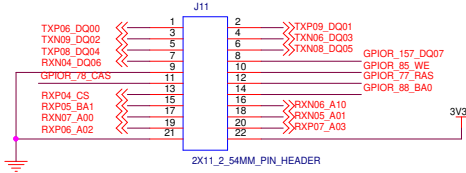
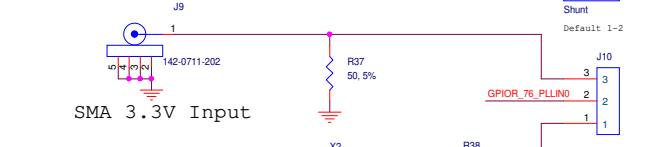
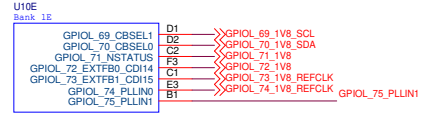
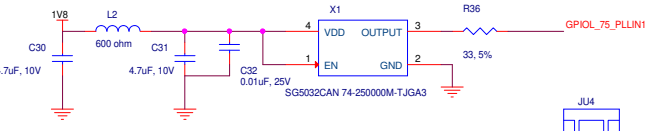
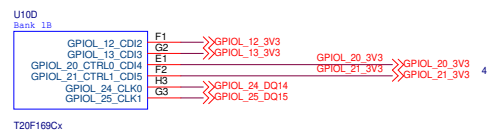
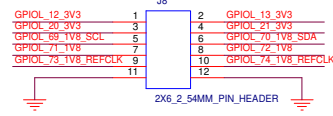
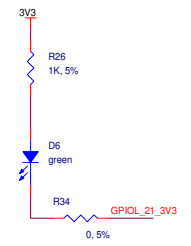
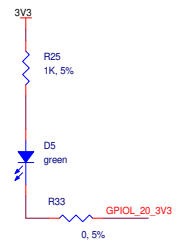
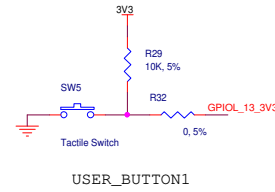
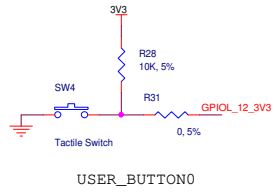
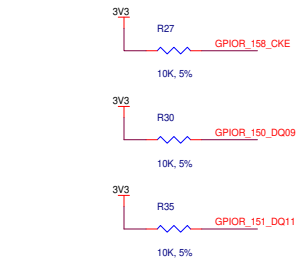


JTAG Upstream Header



JTAG Downstream Header

Efinix 900 Lafayette St, Suite 406 Santa Clara, CA 95050		
Copyright (c) 2019 All Rights Reserved		
Title T20F169C FPGA CONFIGURATION		
Size	Document Number ETSB-00002-1	Rev 1A
Date	Friday, August 16, 2019	Sheet 4 of 9



Efinix
 900 Lafayette St, Suite 406
 Santa Clara, CA 95050

Copyright (c) 2019 All Rights Reserved

EFINIX

Title: T20F169C FPGA I/O

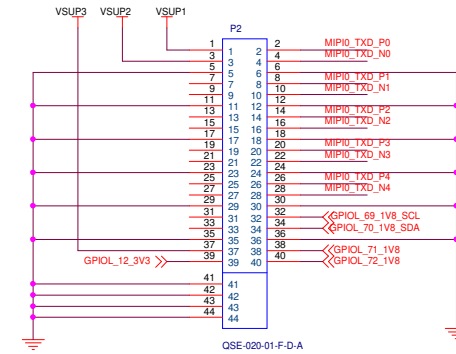
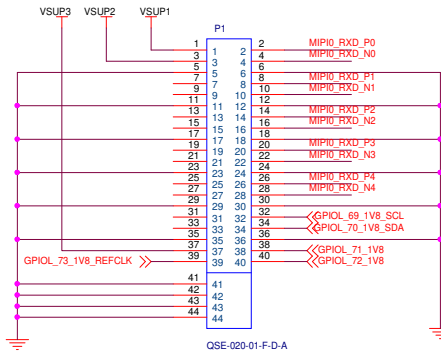
Size: Document Number ETSB-00002-1 Rev 1A

Date: Friday, August 16, 2019 Sheet 5 of 9

U10F
MIF-10

MIP10_TXDP0	A2	MIP10_TXD_P0
MIP10_TXDN0	B2	MIP10_TXD_N0
MIP10_TXDP1	C4	MIP10_TXD_P1
MIP10_TXDN1	D4	MIP10_TXD_N1
MIP10_TXDP2	A3	MIP10_TXD_P2
MIP10_TXDN2	B3	MIP10_TXD_N2
MIP10_TXDP3	C5	MIP10_TXD_P3
MIP10_TXDN3	D5	MIP10_TXD_N3
MIP10_TXDP4	A4	MIP10_TXD_P4
MIP10_TXDN4	B4	MIP10_TXD_N4
MIP10_RXDP0	B5	MIP10_RXD_P0
MIP10_RXDN0	A5	MIP10_RXD_N0
MIP10_RXDP1	C6	MIP10_RXD_P1
MIP10_RXDN1	D6	MIP10_RXD_N1
MIP10_RXDP2	B6	MIP10_RXD_P2
MIP10_RXDN2	A6	MIP10_RXD_N2
MIP10_RXDP3	C7	MIP10_RXD_P3
MIP10_RXDN3	D7	MIP10_RXD_N3
MIP10_RXDP4	B7	MIP10_RXD_P4
MIP10_RXDN4	A7	MIP10_RXD_N4

T20F169Cx

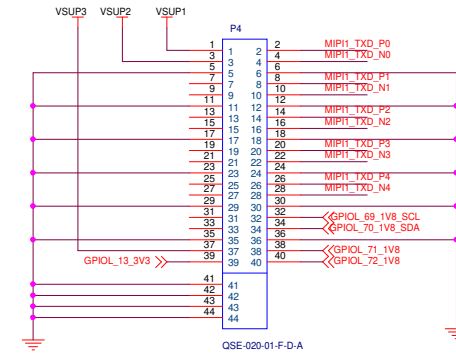
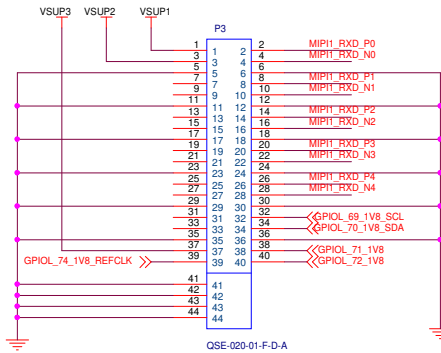


MIPI Channel 0

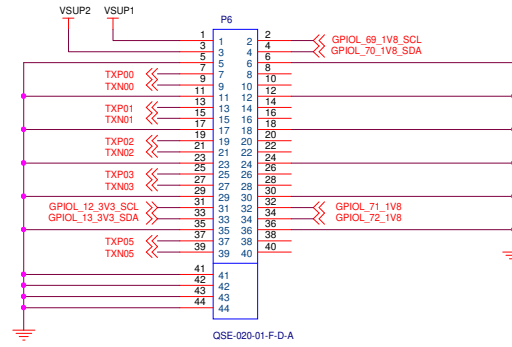
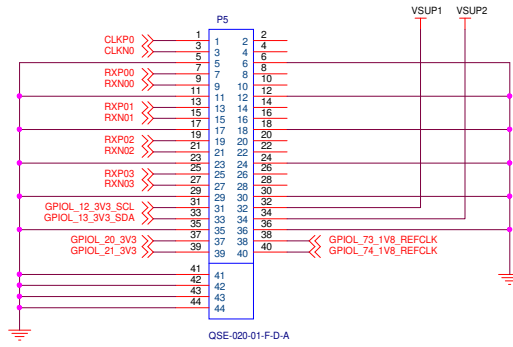
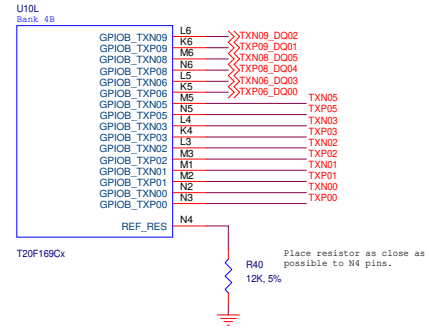
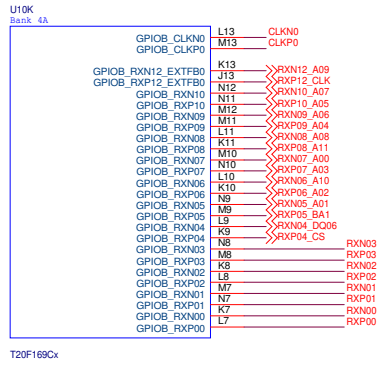
U10G
MIF-11

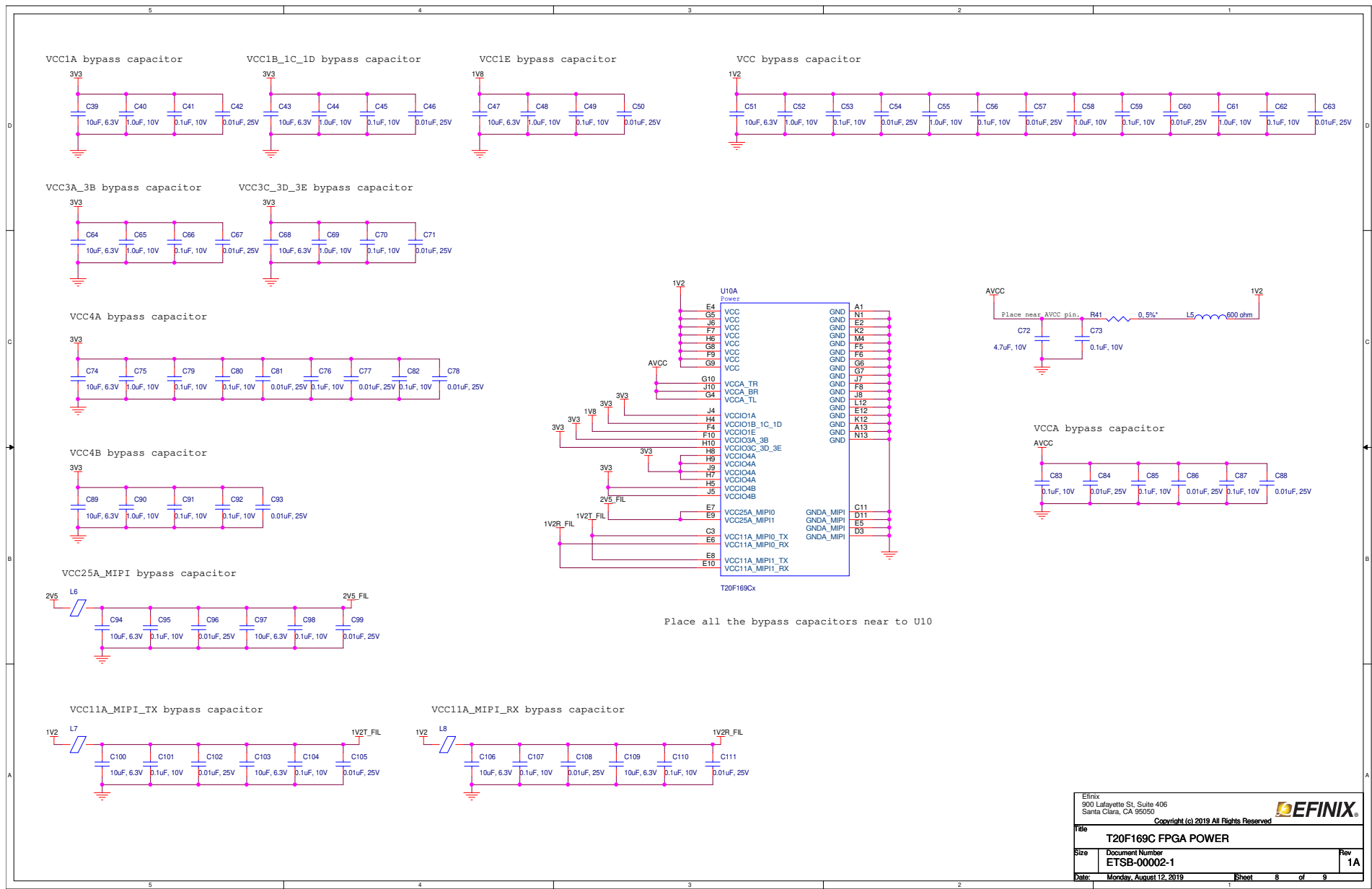
MIP11_TXDP0	B8	MIP11_TXD_P0
MIP11_TXDN0	A8	MIP11_TXD_N0
MIP11_TXDP1	C8	MIP11_TXD_P1
MIP11_TXDN1	D8	MIP11_TXD_N1
MIP11_TXDP2	A9	MIP11_TXD_P2
MIP11_TXDN2	B9	MIP11_TXD_N2
MIP11_TXDP3	C9	MIP11_TXD_P3
MIP11_TXDN3	D9	MIP11_TXD_N3
MIP11_TXDP4	A10	MIP11_TXD_P4
MIP11_TXDN4	B10	MIP11_TXD_N4
MIP11_RXDP0	B11	MIP11_RXD_P0
MIP11_RXDN0	A11	MIP11_RXD_N0
MIP11_RXDP1	C10	MIP11_RXD_P1
MIP11_RXDN1	D10	MIP11_RXD_N1
MIP11_RXDP2	B12	MIP11_RXD_P2
MIP11_RXDN2	A12	MIP11_RXD_N2
MIP11_RXDP3	C12	MIP11_RXD_P3
MIP11_RXDN3	D12	MIP11_RXD_N3
MIP11_RXDP4	C13	MIP11_RXD_P4
MIP11_RXDN4	B13	MIP11_RXD_N4

T20F169Cx

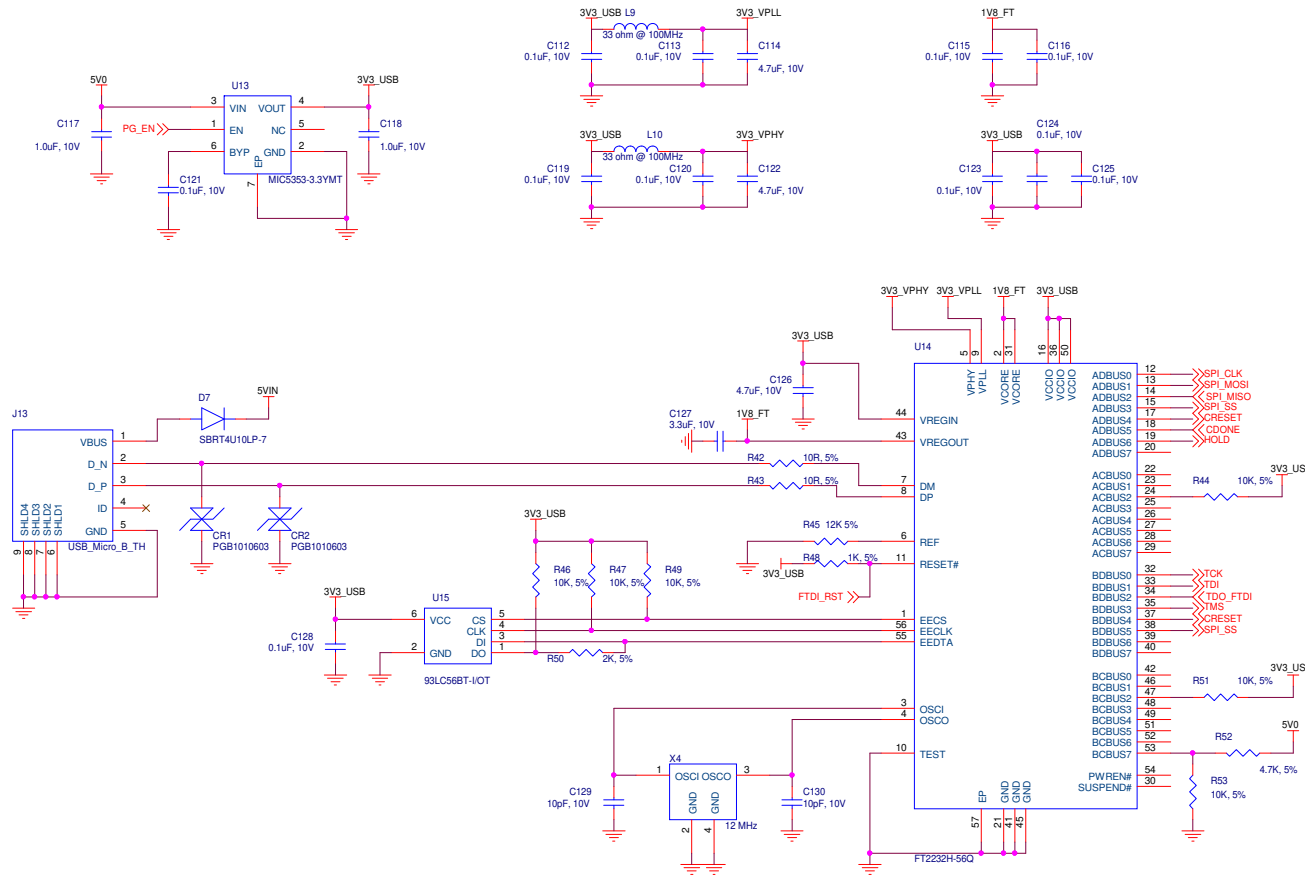


MIPI Channel 1





Place all the bypass capacitors near to U10



EFINIX QTE DAUGHTER CARD

CONTENTS

PAGE 01 - TABLE OF CONTENTS
PAGE 02 - BLOCK DIAGRAM
PAGE 03 - QTE to 15 FPC CONVERTER
PAGE 04 - QTE to 2.54MM HEADER CONVERTER


REVISION HISTORY

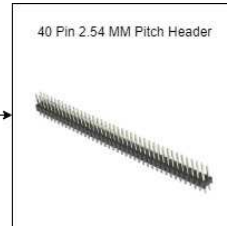
1A	6/04/2019	Initial Creation
2A	8/08/2019	Removed DF30 and Micro-coax Swapped P<->N for FPC15, Remote J6

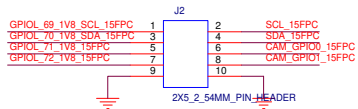
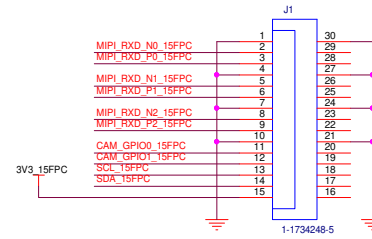
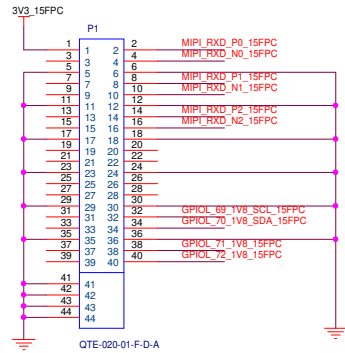
All material must comply with:

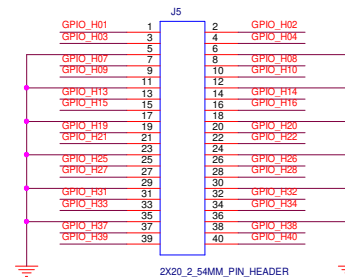
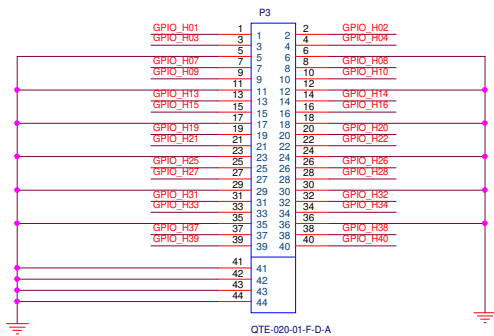
1. The requirements of the European Union RoHS 2 Directive 2017/2102 (Amendment to 2011/65/EU) with no exceptions unless authorized.
2. The requirements of EC 1907/2006 and not contain any of the Substances of Very High Concern (SVHC) listed under the latest REACH requirements. (Amendments EU 2017/999, EU 2017/1510, EU 2018/35).

No changes to Efinix bill of materials is allowed unless approved in writing by Efinix Product Engineering Group. These changes will be maintained in the document revision history via ECN.

Efinix 900 Lafayette St, Suite 406 Santa Clara, CA 95050			
<small>Copyright (c) 2019 All Rights Reserved</small>			
Title		TABLE OF CONTENTS	
Size	Document Number	Rev	
	ETSB-00002-2	1A	
Date	Friday, September 20, 2019	Sheet	1 of 4









Trion T20 MIPI Development Board Bill of Materials

Item	Quantity	Reference	Description	Brand	Manufacturer Part No
1	2	CR1,CR2	Surface Mount Polymeric Electrostatic Discharge	LITTELFUSE	PGB1010603NR
2	4	C1,C2,C23,C24	CAP CER 4.7UF 6.3V X5R 0603	MURATA	GRM188R60J475ME84D
3	23	C3,C6,C10,C11,C13,C15,C16 ,C17,C20,C21,C52,C55,C58, C61,C117,C118, C40,C44,C48,C65,C69,C75,C 90	CAP CER 1UF 10V X5R 0402	MURATA	GRM155R61A105KE15D
4	45	C4,C7,C12,C14,C18,C19,C22 ,C28,C29,C41,C45,C49,C53, C56,C59,C62,C66,C70,C73,C 76,C79,C80,C82,C83,C85,C8 7,C91,C92,C95,C98,C101,C1 04,C107,C110,C112,C113,C 115,C116,C119,C120,C121, C123,C124,C125,C128	CAP CER 0.1UF 10V X5R 0402	MURATA	GRM155R61A104KA01J
5	2	C5,C25	CAP CER 470PF 50V COG/NPO 0603	MURATA	GRM1885C1H471JA01D
6	18	C8,C9,C26,C27,C39,C43,C47 ,C51,C64,C68,C74,C89,C94, C97,C100,C103,C106,C109	CAP CER 10UF 6.3V X5R 0603	MURATA	GRM188R60J106KE47D
7	10	C30,C31,C33,C35,C36,C37,C 72,C114,C122,C126	0603X475K100CT - SMD Multilayer Ceramic Capacitor, 4.7 μ F, 10 V, 0603 [1608 Metric], \pm 10%, X5R	WALSIN	0603X475K100CT
8	25	C32,C34,C38,C42,C46,C50,C 54,C57,C60,C63,C67,C71,C7 7,C78,C81,C84,C86,C88,C93 ,C96,C99,C102,C105,C108,C 111	CAP CER 10000PF 25V X7R 0402	Yageo	0402B103J250CT
9	1	C127	SMD Multilayer Ceramic Capacitor, 3.3 μ F, 10 V, 0805	WALSIN	0805X335K100CT
10	2	C129,C130	CAP CER 10PF 50V COG/NPO 0402	MURATA	GRM1555C1H100JA01D
11	2	D1,D7	Diode Super Barrier 10V 4A Surface Mount U-DFN2020-2	Diodes Incorporated	SBRT4U10LP-7

12	1	D2	TVS DIODE 5.8V 13.4V SMB	STMicroelectronics	SM6T6V8CA
13	4	D3,D4,D5,D6	LED GREEN CLEAR 0603 SMD	LITEON	LTST-C191KGKT
14	4	JU1,JU2,JU3,JU4	Mini Shunt Jumper, Board-to-Board Header Connectors, 1 Ways, 2.54 mm, 2228 Series	MULTICOMP	MC-2228BG
15	1	J1	DC POWER JACK	CUI	PJ-037BH-SMT-TR
16	4	J2, J5,J6,J7	5 X 2 Header (2.54 MM Pitch)	HARWIN	M20-9980545
17	1	J3	3 x 2 Header (2.54 MM Pitch)	HARWIN	M20-9980345
18	1	J4	2 X 2 Header (2.54 MM Pitch)	HARWIN	M20-9980245
19	1	J8	6 X 2 Header (2.54 MM Pitch)	HARWIN	M20-9980645
20	1	J9	SMA Connector Jack, Female Socket 50 Ohm Surface Mount Solder	Johnson	142-0711-202
21	1	J10	11 X 2 Header (2.54 MM Pitch)	HARWIN	M20-9981145
22	2	J11,J12	3 X 1 Header (2.54 MM Pitch)	HARWIN	M20-9990345
23	1	J13	MICRO USB 2.0 CONNECTORS	Amphenol	10118192-0001LF
24	1	L1	FERRITE BEAD 30 OHM 0805 1LN	muRata	BLM21PG300SN1D
25	4	L2,L3,L4,L5	Ferrite Bead	muRata	BLM15AG601SN1D
26	3	L6,L7,L8	Ferrite Bead	Murata	BLM15AG221SN1D
27	2	L9,L10	Ferrite Bead	muRata	BLM15PX330SN1D
28	6	P1,P2,P3,P4,P5,P6	Board to Board & Mezzanine Connectors	Samtec	QSE-020-01-F-D-A
29	2	Q1,Q2	NPN 40V 0.2A SOT523	DIODES	MMBT3904T-7-F
30	28	R1,R3,R6,R8,R9,R12,R13,R14,R15,R17,R18,R19,R20,R21,R22,R23,R24,R44,R46,R47,R49,R51,R53,R27,R28,R29,R30,R35	10k 5%	YAGEO	RC0402FR-0710KL
31	1	R2	309k Ohm 0402	Panasonic	ERJ2RKF3093X
32	1	R4	71.5k Ohm 0402	YAGEO	RC0402FR-0771K5L
33	2	R5,R11	SMD Chip Resistor, 0402 [1005 Metric], 220 ohm,	YAGEO	RC0402FR-07220RL
34	2	R7,R16	100K OHM 5% 1/16W 0402	YAGEO	RC0402FR-07100KL
35	1	R10	Thick Film Resistors - SMD 0402 324Kohms 1% AEC-	YAGEO	RC0402FR-07324KL
36	3	R25,R26,R48	1K OHM 1/10W 5% 0402	YAGEO	RC0402FR-071KL
37	3	R36,R38,R39	33 ohms, 5%, 1/16W, 0402	YAGEO	RC0402FR-0733RL
38	1	R37	RES SMD 50 OHM 0.1% 1/16W 0402	Yageo	RT0402BRE0750RL
39	4	R31,R32,R33,R34	SMD Chip Resistor, 0805 [2012 Metric], 0 ohm, RC Series, 50 V, Thick Film, 125 mW	Yageo	RC0805JR-070RL
40	1	R41	SMD Chip Resistor, 0402 [1005 Metric], 0 ohm, RC Series, 50 V, Thick Film, 62.5 mW	YAGEO	RC0402JR-070RL
41	2	R42,R43	10 ohm 1%	YAGEO	RC0402FR-0710RL

42	2	R40, R45	SMD Chip Resistor, 0402 [1005 Metric], 12 kohm, RC Series, 50 V, Thick Film, 63 mW	Panasonic	ERJ2GEJ123X
43	1	R50	2k 5%	YAGEO	RC0402FR-072KL
44	1	R52	RES, THICK FILM, 4K7, 5%, 0.0625W, 0402	YAGEO	RC0402JR-074K7L
45	1	SW1	OS Series Miniature Slide Switches	C&K	OS102011MS2QN1
46	3	SW2,SW4,SW5	Tactile Switch, B3U Series, Top Actuated, SMD, Round Button, 153 gf, 50mA at 12VDC	Omron	B3U-1000P
47	1	SW3	DIP Switches/SIP Switches END STACK DIP 2P J RAISED TUBE	TE Connectivity / Alcoswitch	EDS02SNNNTU04Q
48	4	U2,U3,U5,U7	Power Switch ICs - Power Distribution Low On-Resistance 3A Load Switch	Texas Instruments	TPS22964CZPT
49	1	U1	4MHz PWM 1.2A Internal Inductor Buck Regulator	Microchip	MIC33153YHJ
50	1	U4	2.8V, 500mA LDO in 1.6mm x 1.6mm Package	Microchip	MIC5353-2.8YMT
51	1	U6	2.5V, 500mA LDO in 1.6mm x 1.6mm Package	Microchip	MIC5353-2.5YMT
52	1	U8	1.8V, 500mA LDO in 1.6mm x 1.6mm Package	Microchip	MIC5353-1.8YMT
53	1	U9	4MHz PWM 1.2A Internal Inductor Buck Regulator	Microchip	MIC33153-4YHJ
54	1	U10	Trion T20F169 FPGA	Efinix	T20F169Cx
55	1	U11	Analogue Switch ICs 0.30 Dual SPDT Ana Sw 2Ch	Texas Instruments	TS3A24159ZPR
56	1	U12	SPIFLASH, 32M-BIT, 4KB	Winbond	W25Q32JVXGIQ
57	1	U13	3.3V, 500mA LDO in 1.6mm x 1.6mm Package	Microchip	MIC5353-3.3YMT
58	1	U14	FT2232HDual High Speed USB to Multipurpose	FTDI	FT2232H-56Q
59	1	U15	2K Microwire Compatible Serial EEPROM	Microchip	93LC56BT-I/OT
60	1	X1	Standard Clock Oscillators 74.25MHz 50ppm -40C	Epson	SG5032CAN 74-250000M-TJGA3
61	1	X2	Standard Clock Oscillators 50MHz 3.3Volts 25ppm -	ABRACON	ASE-50-000MHZ-L-R-T
62	1	X3	Standard Clock Oscillators 26MHz 3.3Volts 25ppm -	ABRACON	ASE-26-000MHZ-L-R-T
63	1	X4	Crystal Resonator	Multicomp	MCSJK-7U-12.00-12-10-80-B-10



Daughter Cards Bill of Materials

Item	Quantity	Reference	Description	Manufacturer	Manufacturer Part No
1	1	J1	Easy-On FFC/FPC Connector, 1.00mm Pitch, Slider Series, Vertical, 5.75mm Height, 15 Circuits, Gold Plating	MOLEX	526101572
2	1	J2	5 X 2 Header (2.54 MM Pitch)	HARWIN	M20-9980545
3	1	J5	20 X 2 Header (2.54 MM Pitch)	HARWIN	M20-9982045
4	2	P1,P3	40 Ways Board to Board & Mezzanine Connectors 0.80 mm Q Strip High-Speed Ground Plane Terminal Strip	Samtec	QTE-020-01-F-D-A



Disclaimers

EFINIX DOES NOT PROVIDES ANY WARRANTY OF ACCURACY, COMPLETENESS, MERCHANTABILITY OR NONINFRINGEMENT OF THIRD-PARTY RIGHTS ON THIS DOCUMENT. THE INFORMATION IN THIS DOCUMENT IS "AS IS". IN NO EVENT WILL EFINIX BE LIABLE FOR ANY EXEMPLARY, SPECIAL, CONSEQUENTIAL, INDIRECT, OR INCIDENTAL DAMAGES, INCLUDING ANY LOSS OF DATA, LOST OF PROFITS, LOSS OF INFORMATION, LOSS OF LIFE OR BUSINESS INTERRUPTION, ARISING FROM YOUR USE OF THIS DOCUMENT.

EFINIX shall make changes to this document at any time without notification. EFINIX assumes no obligation to correct any errors contained in this document or to advise any user of this document of any correction if such be made. EFINIX advise its customers obtain the latest FPGA schematic before ordering so that no conflict of information correctness afterward.